

INSTRUCTIONS AND REPAIR PARTS LIST

MPD20 and WPD20 SIX HOLE PIG DRINKER

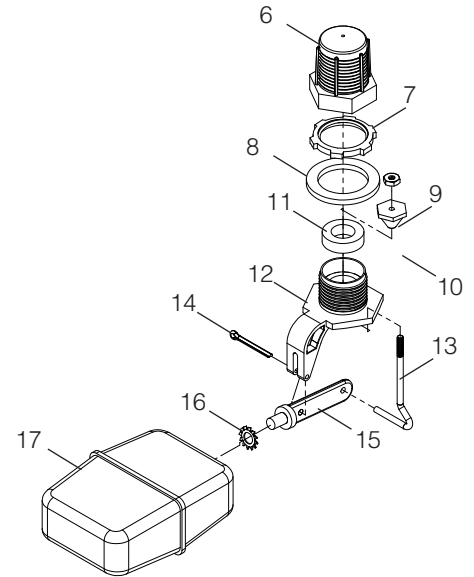
READ ALL DIRECTIONS CAREFULLY BEFORE BEGINNING INSTALLATION

MPD20 and WPD20 Parts List

Ref. No.	Part No.	Description	Qty
1	MPD60	Tank, Poly	1
2	WPD61	Base, Blue, Poly	1
2	MPD61	Base, Red, Poly	1
WPD64 - MPD20/WPD20 Hardware Pack Contains Ref. Nos. 3-17			
3	WPD62	Cap, Poly	1
4	WPD63	1/8" Nylon Rope, 12"	1
5	OP223	3/4" Threaded Plug, Poly	1
B78P - Valve and Float Assembly Contains Ref. Nos. 6-17			
6	A15P	Hex Screen Filter, Poly	1
7	B83	3/4" Conduit Locknut, Zinc	1
8	A19	1-1/16" Washer, Fiber	1
9	OF51	#6-32 Hex Machine Nut, Brass	1
10	B80P	Hex Cone, Poly	1
11	B82	1/2" ID x 7/8" OD Washer, Rubber	1
12	B84P	Valve Body, Poly	1
13	3B1	Hook Rod, Brass	1
14	B100	1/8" x 1" Cotter Pin, Brass	1
15	W80B11P	Float Arm, Poly	1
16	OF116	1/4" External Tooth Lockwasher, SS	1
17	OP346	Float, Poly	1

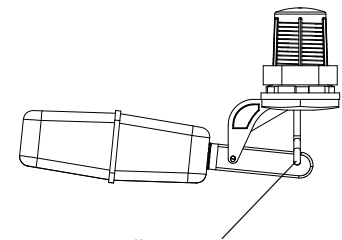
All parts listed are available as repair parts.

EXHIBIT A - B78P Valve



Valve Repair Packages - See Exhibit A

Part No.
B77P - Valve Only; Contains Ref. Nos. 6-13
B79P - Float and Float Arm; Contains Ref. Nos. 15-17
B81 - Hook, Rod, Cone Assembly; Contains Ref. Nos. 9, 10 & 13



Note: The thinner tear-out distance of the W80B11P Float Arm should face upward.

MODEL NUMBER

The MODEL NUMBERS are: MPD20 or WPD20 Six Hole Pig Drinker

WHEN ORDERING PARTS

- (1) Show MODEL NUMBER and NAME: Example - WPD20 Six Hole Pig Drinker
- (2) Show PART NUMBER and FULL DESCRIPTION of part: Example - WPD61 Base, Blue

HOW TO ORDER PARTS

Repair parts may be ordered from your dealer.



PO BOX 2000 • HOUGHTON, IOWA 52631 • USA
 PHONE: 319-469-4141 FAX: 319-469-4402
 www.hawkeysteel.com E-MAIL: sales@hawkeysteel.com



ISHWPD
 REV. 3.3
 PRINTED IN U.S.A.

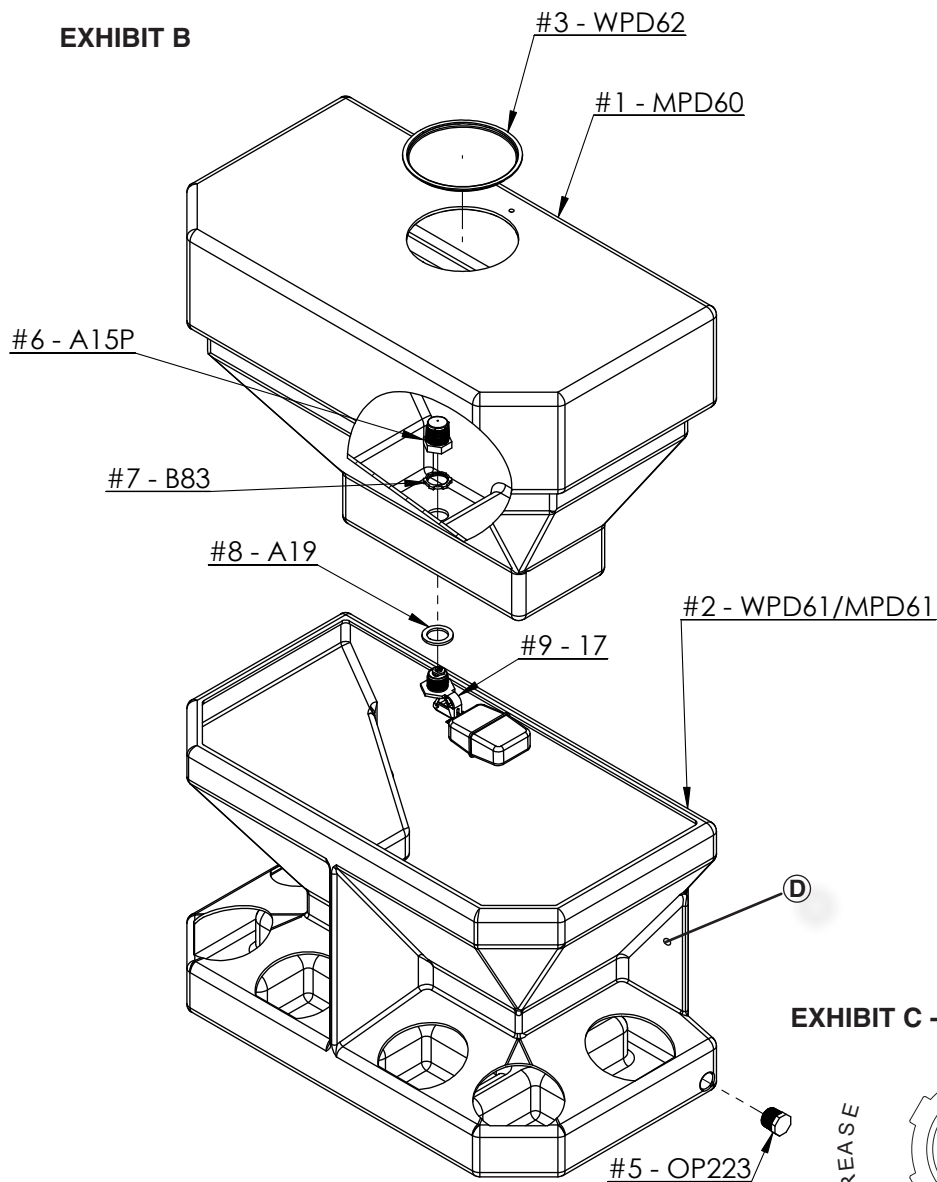
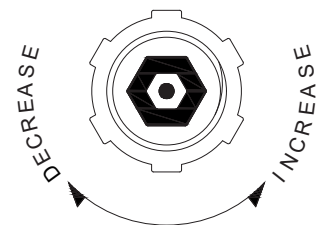


EXHIBIT C - Adjusting Water Level



NOTE ABOUT LOCATION D :

There are 2 wall-mounting holes on the vertical ribs on each side of the base. If you use these holes to mount to a partition fence or wall, use flat washers under the bolt heads. Don't use wire to tie base.

- STEP 1: Check the materials received against the parts list to ensure that all parts are present.
- STEP 2: Turn the Tank (Ref. No. 1) on its side. Locate the B78P Valve and Float Assembly (Ref. Nos. 6-17). Remove the Screen Filter (Ref. No. 6) and Locknut (Ref. No. 7). Insert the threaded portion of the valve through the hole in the Tank, leaving the Float (Ref. No. 17) on the outside bottom. Make sure the Float is turned parallel with the length of the tank. Thread the Locknut onto the Valve and tighten.

CAUTION: Do not overtighten or you may damage the valve.

- STEP 3: After the Valve and Float assembly is secure, thread the Screen Filter onto the Valve. This only needs to be finger tight.
- STEP 4: Attach Rope (Ref. No. 4) to Cap (Ref. No. 3) to the Tank as shown.
- STEP 5: Place Tank in Base.
- STEP 6: Insert the Threaded Plug (Ref. No. 5) into the side of the Base. Hand tighten.

- STEP 7: Your drinker is now ready to fill. It is recommended to fill the Tank halfway while adjusting the water level in the trough. When full, the recommended water level in the Base is 1" below the top edge of the trough. To increase the water level in the trough, remove the Screen Filter from the Valve and turn the end of the Hex Cone and #6 Machine Nut (Ref. No. 10 & 9) counter-clockwise. See Exhibit C. To decrease the water level, turn the end of the Hex Cone and #6 Machine Nut clockwise. After valve adjustment, be sure to screw the Screen Filter back onto the Valve.

Note: The Valve may slowly trickle for up to half an hour. During that time water level will slowly increase.

- STEP 8: Note the gallon markers running from 12 gallons to 20 gallons on the right hand side of the tank. Filling to within 1" of the top edge of the base will result in the gallons indicated by the markers. Your Drinker is now ready to be used!